

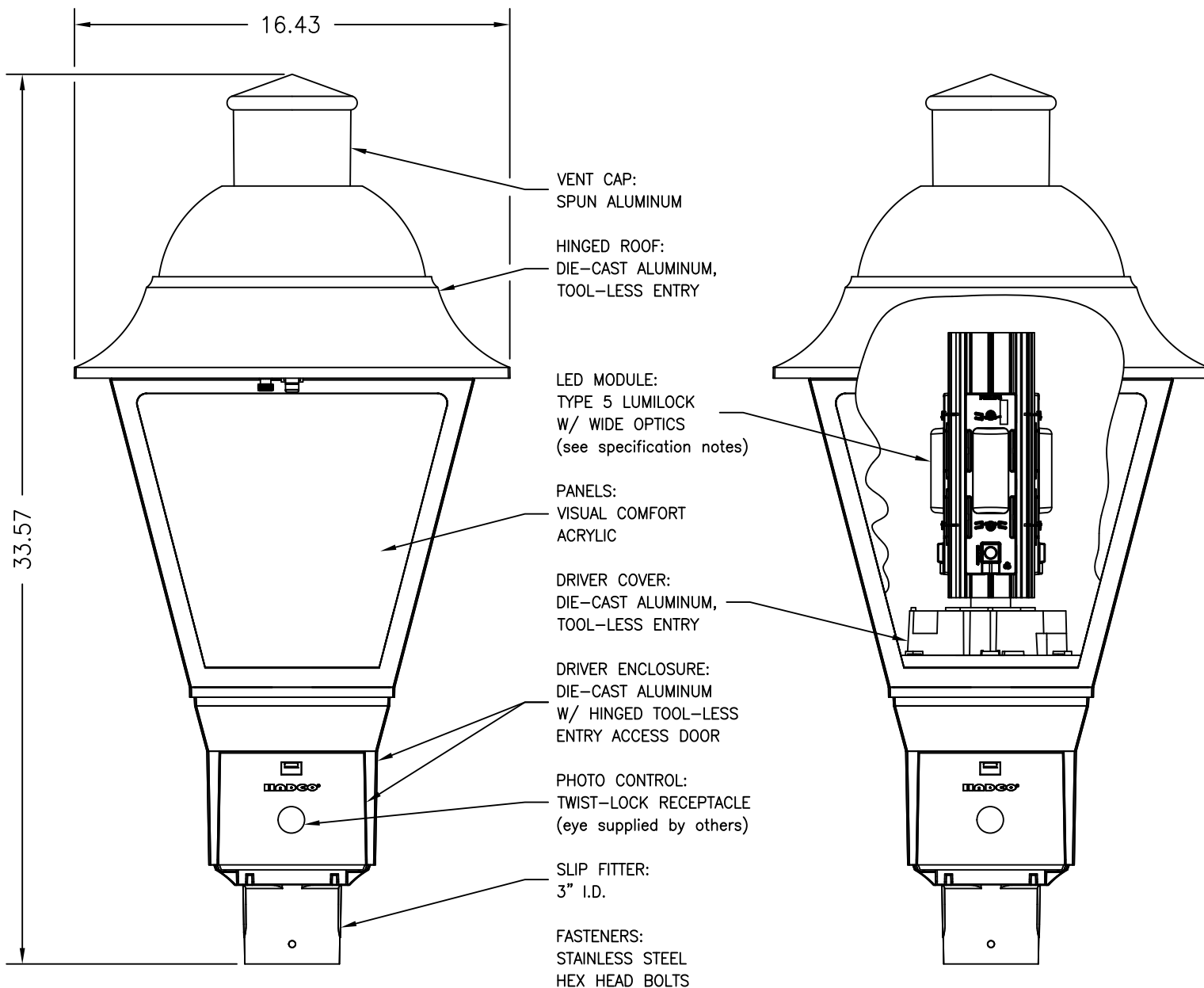
Ordering Guide

C11889E-A: LUMINAIRE

Color:  
Black

Lumilock LED Specifications:

- 64, 4000K (neutral) LEDs, typical 75 Color Rendering Index (CRI), >100,000 hours of operational life (at 25°C ambient temperature & 70% lumen maintenance), injection molded Type 5 Wide optical plates, IP66 rated optical system.
- Integral Advance Xitanium LED driver, class 1, IP66 rated, 350mA, IntelliVolt 120-277 VAC, 50-60Hz, RoHS compliant, field replaceable 10kV/10kA surge suppression.
- Watts consumed: 69W.
- Manufactured to ISO 9001:2008 Standards.
- C11889E-A fixture as shown is not third party (ETL/UL) listed.



**CONFIDENTIAL:**  
This drawing is confidential and proprietary to Hadco and may not be reproduced without the express written consent of Hadco. Any use hereof or of any of the information or detail herein shall be for the sole benefit of Hadco.

**NOTICE:**  
This drawing is for reference only. Check for latest revision prior to ordering.

PRODUCT APPROVALS	
HADCO	SDK
CUSTOMER	

100 Craftway Drive  
Littlestown, Pa 17340  
Phone 800-937-5483  
Fax 717-359-0618  
www.signify.com



JOB NAME: City of New Rochelle, NY			
SCALE: 1:6	DATE: 08/30/13	DRAWN BY: CMG	DRAWING NUMBER: C11889-DWG03
REP: Dave Murphy		REV: E	PCN: 19-007
		BY: SMK	DATE: 07/22/19